

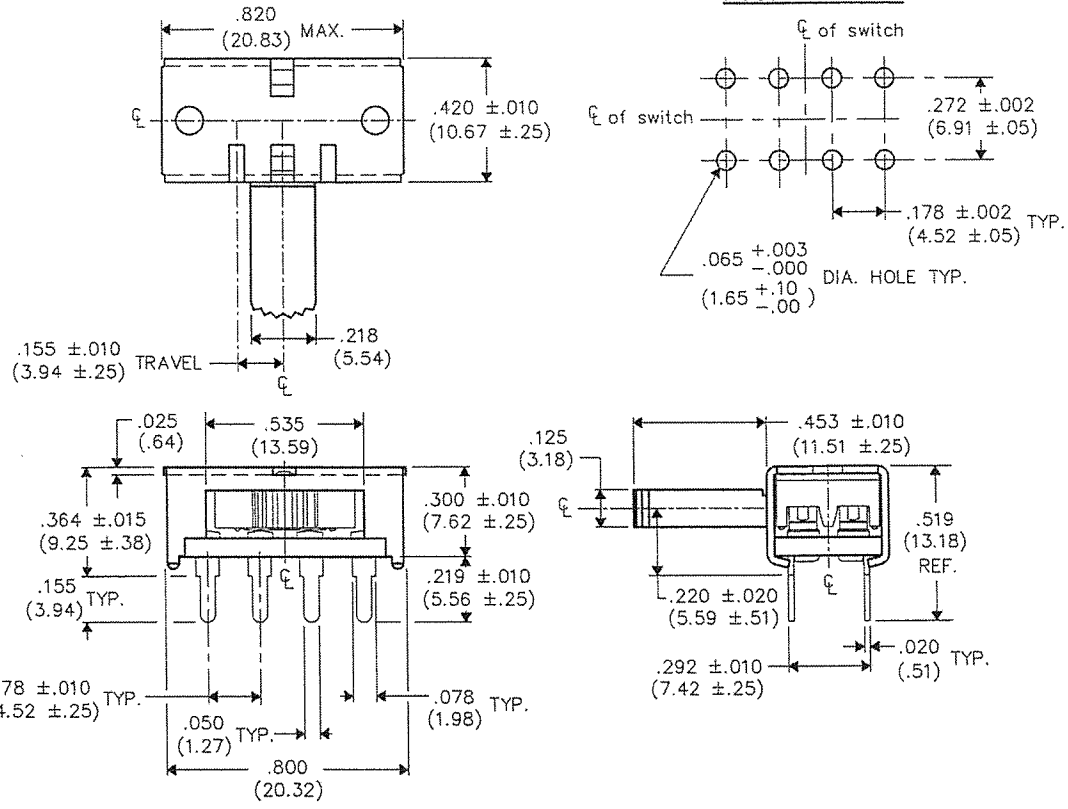
DIMENSIONS IN INCHES (MILLIMETERS)
DO NOT SCALE DRAWING

Dwg. No.
GI-154-0006

A
B
C
D
E

THIS INFORMATION IS CONFIDENTIAL AND PROPRIETARY TO CW INDUSTRIES INCORPORATED AND ITS AFFILIATES. IT MAY NOT BE DISCLOSED TO ANYONE OTHER THAN CW INDUSTRIES PERSONNEL WITHOUT WRITTEN AUTHORIZATION FROM CW INDUSTRIES INCORPORATED, SOUTHAMPTON, PENNSYLVANIA USA.

P.C. LAYOUT



1 2 3 4 5 6 7 8 9 10

B-FORMAT 2002
REVISIONS
RELEASED: 7/26/17
DWG 7/26/17
CS 8/15/17

CW INDUSTRIES
Southampton, Pa. 18966
TOLERANCES UNLESS OTHERWISE SPECIFIED
2 Place Decimal $\pm .010$ METRIC
3 Place Decimal $\pm .005$ 1 Place Dec. $\pm .25$ mm
Angles $\pm 1'$ 2 Place Dec. $\pm .13$ mm
Made for: CW IND.
Drawn by: DGW 7/26/17
Checked by: G. GULD 7-27-17
Approval: C. Homan 8/15/17

Title: **MINI SLIDE SIDE ACTUATOR SWITCH D.P./3P**
Division: **SWITCH**
Dwg. No. **GI-154-0006**

MASTER